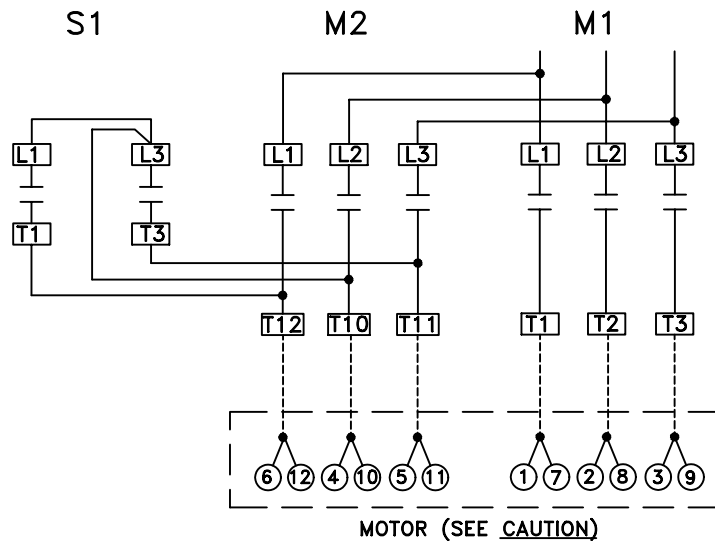


Schematic Diagram

Electric Fire Pump Controller Standard Motor Connections for LX-1800, LX-1900, LX-2800, LX-2900

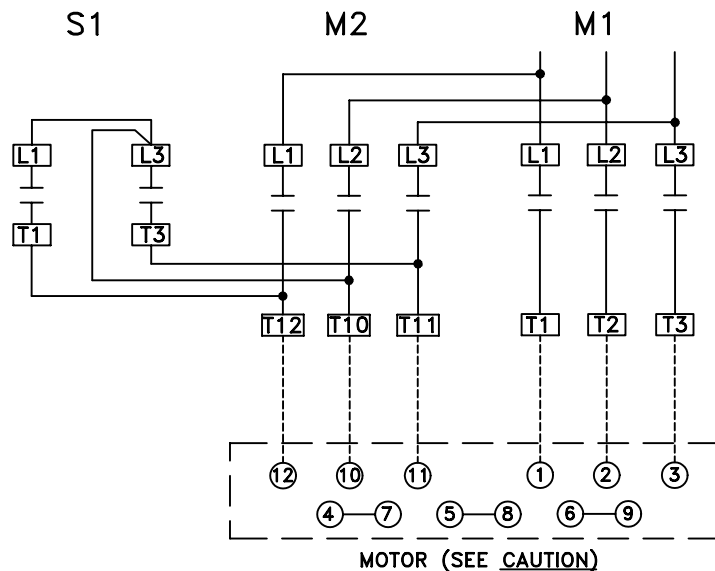


DUAL VOLTAGE
WYE-DELTA MOTOR
LOW VOLTAGE

MOTOR VOLTAGE	LINE VOLTAGE
200/400	200-208
230/460	220-240

SINGLE VOLTAGE
12-LEAD
WYE-DELTA MOTOR

MOTOR VOLTAGE	LINE VOLTAGE
460	440-480



DUAL VOLTAGE
WYE-DELTA MOTOR
HIGH VOLTAGE

MOTOR VOLTAGE	LINE VOLTAGE
200/400	380-415
230/460	440-480

CAUTION:

THE WIRE NUMBERS SHOWN REFLECT THE LEAD MARKING CONVENTION AS DEFINED BY NEMA MG1-2.62 FOR 12 LEAD DUAL VOLTAGE AND 12 LEAD SINGLE VOLTAGE WYE START, DELTA RUN MOTOR CONNECTIONS. CONFIRM CORRECT LEAD MARKINGS WITH MOTOR CONNECTION INSTRUCTIONS OR NAMEPLATE DIAGRAMS. THREE (3) LEAD AND NINE (9) LEAD MOTORS CANNOT BE USED WITH WYE START DELTA RUN CONTROLLERS. TWELVE (12) LEAD SINGLE VOLTAGE MOTORS CANNOT BE WYE STARTED AT HALF RATED VOLTAGE.

Controlled Document
Notify Factory Mutual of all
revisions to this drawing



HUBBELL INDUSTRIAL CONTROLS, INC.
4301 CHEYENNE DR.
ARCHDALE, NC. 27263

DATE: 8-4-00	REV. D
DRAWING NUMBER: PC-90351-111	